



GLOBE FAN

GLOBEFAN TECHNOLOGY CO., LTD.

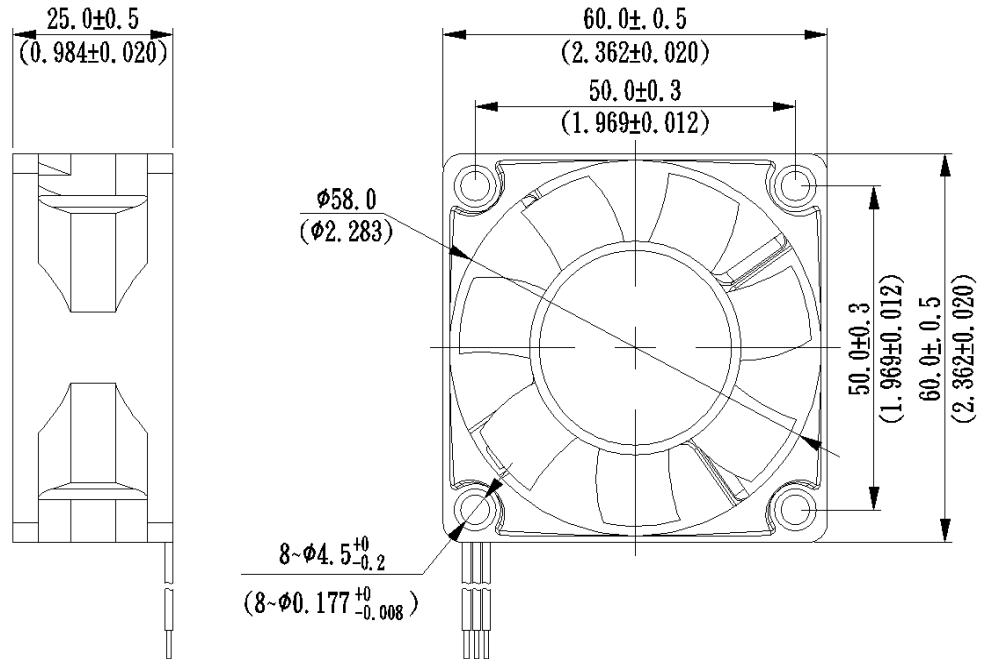
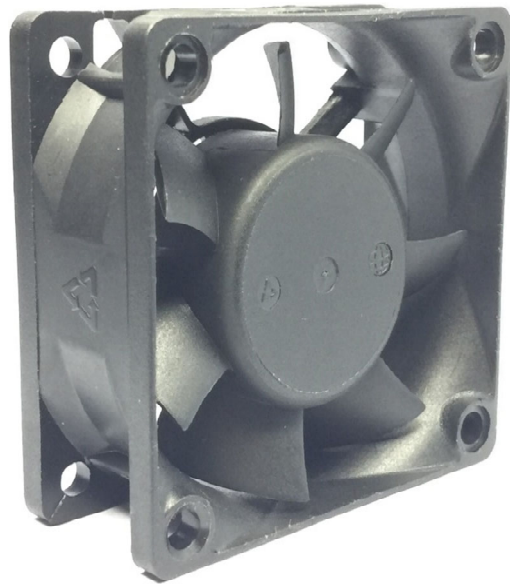
No. 28, 3 Lane Zhongxinjin Road, Jin Industry District Shoei Koou Village,

Da Laang Town, Dungguan City, Guangdong Province, China

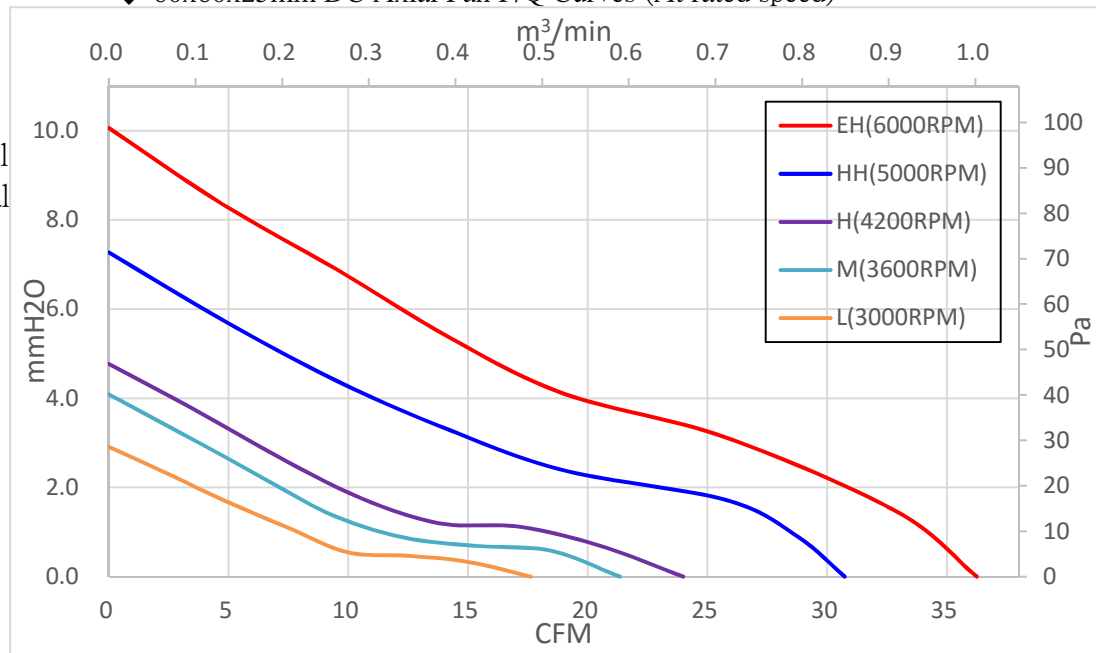
Tel : +86 769 83182898~9

Fax : +86 769 83182897

◆ DIMENSIONS DRAWING



◆ 60x60x25mm DC Axial Fan P/Q Curves (At rated speed)



* BEARING TYPE

- Ball bearing
- Sleeve bearing

* Electrical Function

- Frequency Generator Output Signal
- RD (Lock Detection) Output Signal

* Material

Impeller: Plastic (PBT 30%GF)
 Frame : Plastic (PBT 30%GF)

* Lead wires

UL1007 26AWG or Equivalent
 Black Wire Negative (-)
 Red or Yellow Wire Positive (+)
 White Wire Signal (FG)

* Weight :51.6g (1.82 oz)

MODEL	Operating Voltage Range	Rated Voltage	Rated Current	Rated Input Power	Speed	Maximum Air Flow		Maximum Air Pressure		Noise
Part No.	VDC	VDC	Amp	Watts	R.P.M	m ³ /min	CFM	mmH ₂ O	Pa	dB(A)
B/S0602512EH	6 ~13.8	12	0.47	5.6	6000±10%	1.03	36.25	10.06	98.65	42.5
B/S0602512HH	6 ~13.8	12	0.22	2.6	5000±10%	0.87	30.73	7.27	71.29	36.8
B/S0602512H	6 ~13.8	12	0.17	2.0	4200±10%	0.68	23.99	4.77	46.78	32.5
B/S0602512M	6 ~13.8	12	0.15	1.8	3600±10%	0.60	21.35	4.09	40.11	27.8
B/S0602512L	6 ~13.8	12	0.12	1.4	3000±10%	0.50	17.63	2.91	28.54	22.7

* Function type is optional.

* The max. air flow and speed are measured in free air; max. air pressure is measured at close to zero air flow.

* Noise is measured in anechoic chamber in free air, one meter from intake side.

* All readings are typical values at rated voltage.

* Specifications are subject to change without notice.